

PARTS MANUAL

BALE KING

VORTEX 3000 HD



BRIDGEVIEW

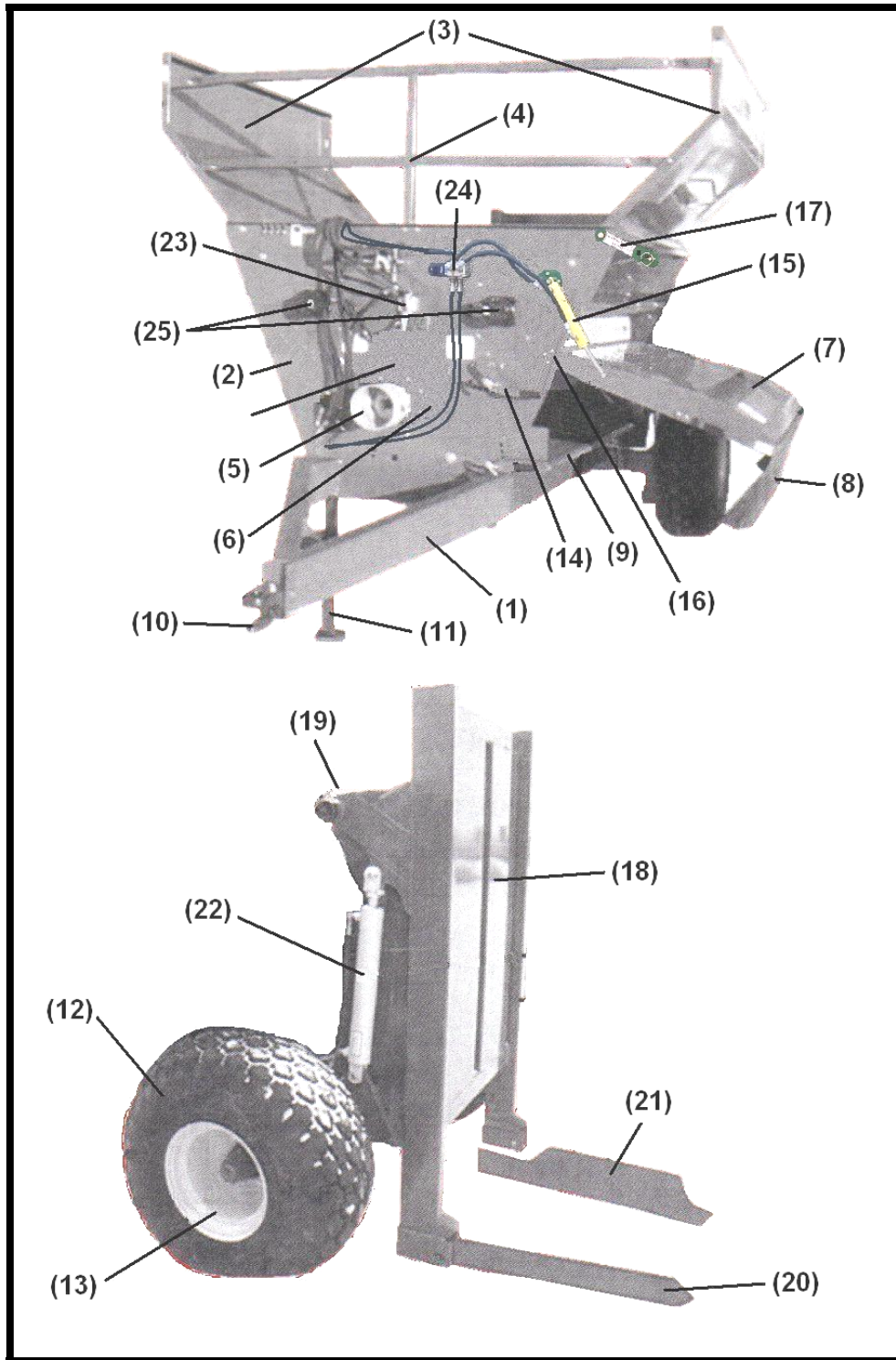
MANUFACTURED BY: BRIDGEVIEW MANUFACTURING INC.
P.O. BOX 4
GERALD, SASK. CANADA
S0A 1B0
PHONE: (306) 745-2711
FAX: (306) 745-3364

TABLE OF CONTENTS

BALE KING VORTEX 3000 HD

EXTERNAL PARTS AND CONTROLS.....	1 - 4
SWITCH.....	4A
PTO ASSEMBLIES.....	5 - 10
INNER TUB PARTS.....	11 - 12
HUB ASSEMBLY.....	13
HYDRAULIC ASSEMBLIES.....	14 - 16
HYDRAULIC SCHEMATICS.....	17 - 18
FINE CHOP OPTION (SIDE MOUNT).....	19
MODELS WITH SERIAL # BK3182 AND BELOW	
FINE CHOP OPTION (BOTTOM MOUNT).....	20
SPRING ASSISTED DEFLECTOR.....	21 – 22
OPTIONAL ATTACHMENTS.....	23 - 24
HYDRAULIC SCHEMATICS.....	25

EXTERNAL PARTS AND CONTROLS



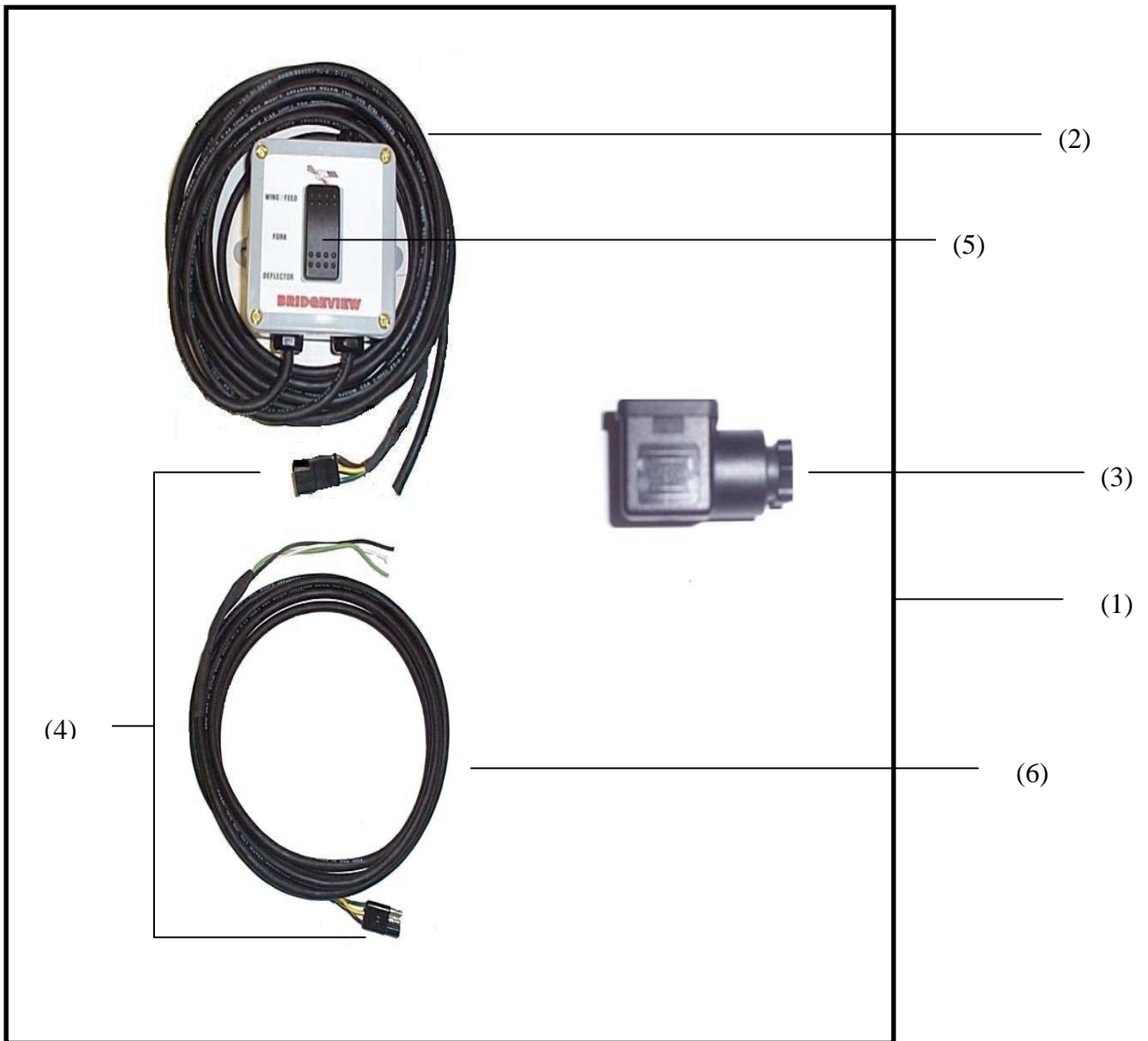
EXTERNAL PARTS AND CONTROLS

PARTS LIST

<u>Ref#</u>	<u>BMI#</u>	<u>Description</u>	<u>Qty.</u>
1	N/A	Main Frame	1
2	N/A	Tub Assembly	1
3	10440	Top Bale Shield	2
Not Shown	14461	1/2" x 1 1/2" NC Bolt (+2 for Serial# BK3182 and below)	6
Not Shown	16345	1/2" Flat Washer (+2 for Serial# BK3182 and below)	6
Not Shown	10278	1/2" Serrated Flange Nut (+2 for Serial# BK3182 and below)	6
4	10503	Front Rack (for Serial #BK3184 and below)	1
4	12903	Front Rack (for Serial #BK3184 and above)	1
Not Shown	14460	1/2" x 1" NC Bolt	2
Not Shown	10278	1/2" Serrated Flange Nut	6
Not Shown	15403	1/2" x 3 1/4" NC Bolt	4
Not Shown	16345	1/2" Flat Washer	4
5	10421	PTO Shield	1
Not Shown	13806	3/8" x 1" NC Bolt	4
Not Shown	13773	3/8" Flat Washer	4
Not Shown	13802	3/8" NC Locknut	4
6	12806	Rotor Plate (Round Corners)	1
	10508	Rotor Plate (Square Corners)	1
Not Shown	14460	1/2" x 1"	8
Not Shown	10278	1/2" Serrated Flange Nut	8
7	10478	Side Deflector (Spring Assist style)	1
7	12814	Side Deflector Hydr. Lift Style Ser#BK3184 & up	
Not Shown	12815	Deflector Mounts	2
Not Shown	13806	3/8" x 1" NC Bolt	6
Not Shown	13772	3/8" Flat Washer	6
Not Shown	11818	3/8" Serrated Flange Nut	6
Not Shown	10288	Channel Rubber Deflector	1
8	10477	Rubber Deflector 18"	1
Not Shown	13806	3/8" x 1" NC Bolt	8
Not Shown	13802	3/8" NC Locknut	8
9	10825	Bottom Deflector	1
Not Shown	11662	5/16" x 3/4" Carriage Bolt	6
Not Shown	11815	5/16" Serrated Flange Nut	6
Not Shown	14461	1/2" x 1 1/2" NC Bolt	2

Not Shown	14443	1/2" NC Locknut	2
Not Shown	16345	1/2" Fender Washer	2
Not Shown	10239	Deflector Bushing	2
Not Shown	13806	3/8" x 1" NC Bolt	2
Not Shown	11818	3/8" Serrated Flange Nut	2
Not Shown	10231	Plated S-Handle	1
Not Shown	10301	Compression Spring	1
Not Shown	10302	Roll Pin	1
Not Shown	10297	Rubber Grip	1
10	10281	Hitch Assembly	1
Not Shown	10282	3/4" x 2" NC Bolt	4
Not Shown	10283	3/4" NC Nut	4
11	11799	Implement Jack	1
12	10354	W14C x 16.1 8 – Rim - Yellow	2
13	10355	16L x 16.1 Tire	2
14	10476	Hoop Height Adjuster	1
Not Shown	13806	3/8" x 1" NC Bolt	4
Not Shown	11818	3/8" Serrated Flange Nut	4
Not Shown	10297	Rubber Handle Cover	1
Not Shown	10231	Plated S Handle	1
Not Shown	10301	Compression Spring	1
Not Shown	10302	Roll Pin	1
15	10317	Deflector Hydraulic Cylinder (See Page 16)	1
Not Shown	10801	1/2" x 3 1/2" NC Bolt	1
Not Shown	15397	1/2" x 3 3/4" NC Bolt	1
Not Shown	14443	1/2" NC Locknut	2
16	10516	Deflector Cylinder Mount (Front Plate)	1
Not Shown	13806	3/8" x 1" NC Bolt	4
Not Shown	11818	3/8" Serrated Flange Nut	4
Not Shown	15711	Deflector Cylinder Mount (Deflector)	1
Not Shown	13806	3/8" x 1" NC Bolt	4
Not Shown	11818	3/8" Serrated Flange Nut	4
17	13560	Safety Transport Link	1
Not Shown	13233	Lynch Clip	1
Not Shown	13232	1/2" x 2 1/4" NC Bolt	1
Not Shown	13231	1/2" x 2 1/2" NC Stabilizer Pin	2
Not Shown	10278	1/2" Serrated Flange Nut	6
18	10578	Rear Fork Frame	1
19	10579	Pivot Pipe	1
Not Shown	10504	3" Rubber Cap	2
Not Shown	10579	Pivot Pipe	1
Not Shown	15411	1/2" x 4 3/4" NC Bolt	1
Not Shown	10278	1/2" NC Locknut	1
Not Shown	10280	1/4" Grease Zerk	2
Not Shown	10580	1/4" x 2" Cotter Pin	2
20	10303	Bale Tine	2

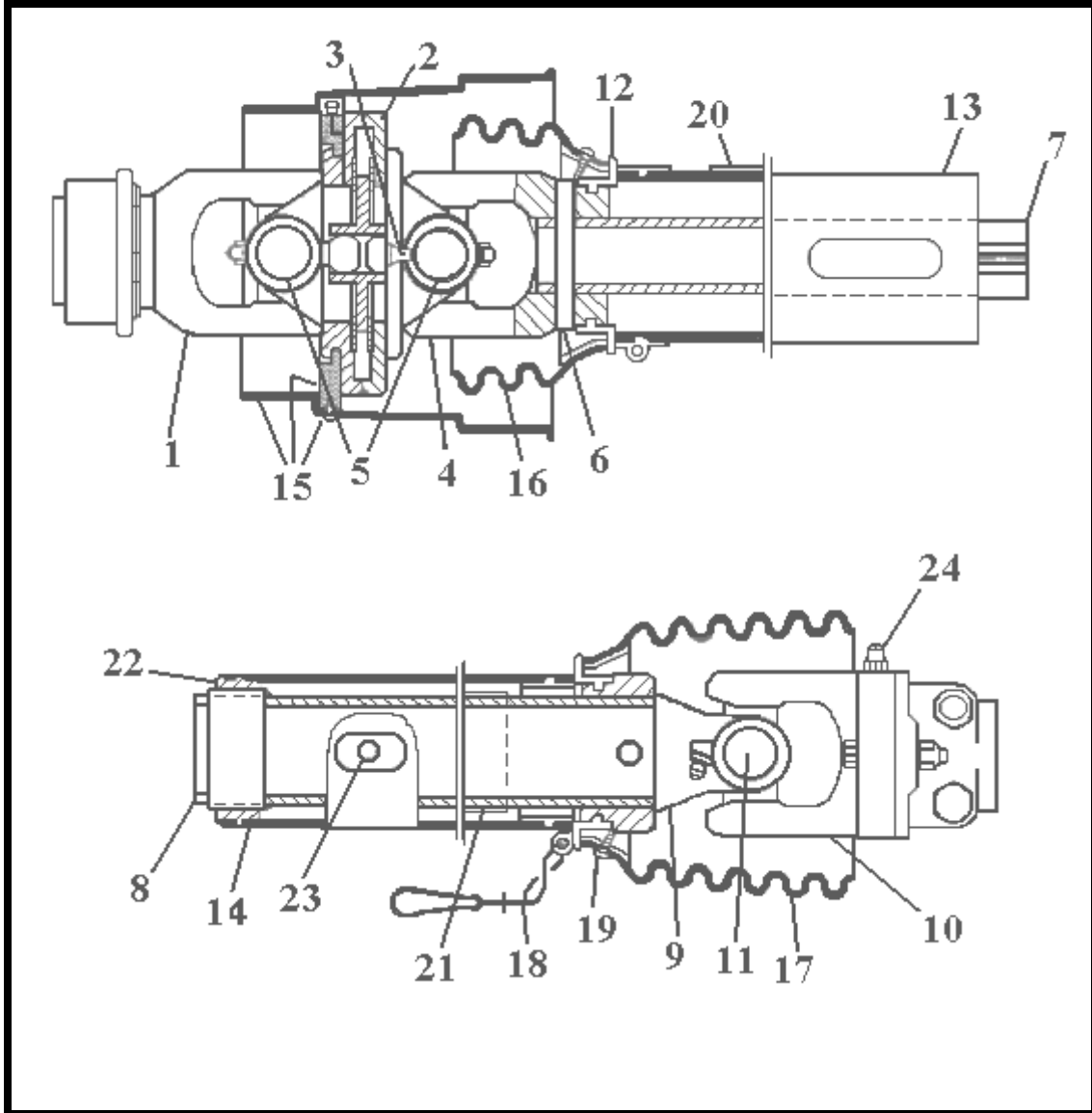
21	10234	Small Bale Tine (Optional)	2
Not Shown	10031	Headed Pin	2
Not Shown	10072	3/16" x 1 1/2" Cotter Pin	2
22		Fork Hydraulic Cylinder (See Page 14,15)	2
Not Shown	10339	Butt End Cylinder	2
Not Shown	10341	Ram End Cylinder	2
Not Shown	10580	1/4" x 2" Cotter Pin	8
Not Shown	16640	Cylinder Safety Lock	1
Not Shown	12050	PTO Clip, Safety Lock	1
23	11742	Splitter (See Page 17)	1
Not Shown	13761	1/4" x 2" NC Bolt	2
Not Shown	15402	1/4" NC Locknut	2
Not Shown	13763	1/4" Washer	2
24	11743	Diverter (See Page 17)	1
Not Shown	11783	5/16" x 3" Socket Head Bolt	2
Not Shown	15870	5/16" NC Locknut	2
25	11045	Hydraulic Motors (See Page 17)	2
Not Shown	16625	PTO and Hose Holder	1
Not Shown	10510	Cover Fine Chop	2
Not Shown	10807	3/8" x 3/4" Fin Bolt	8
Not Shown	11818	3/8" Serrated Flange Nut	8
Not Shown		Vortex Decals:	
	12190	Bale King	2
	12181	V3000	2
	12239	PIMA	1
	12516	Patent	1
	12217	Heavy Duty Diamond	2
Not Shown		Safety Decals:	
	12229	Danger Sign (Lift Area)	2
	12230	Danger Sign	4
	12219	Caution Sign	2
	12228	SMV	1
	13324	1 1/2" x 3" Amber Reflective Decal	3
	13325	1 1/2" x 3" Red Reflective Decal	3
	13194	Decal Transport Safety Lock	1
		(N/A before Serial# BK3183)	



PARTS LIST

<u>Ref #</u>	<u>BMI#</u>	<u>Description</u>	<u>Qty.</u>
1	11800	Complete control box with harness for 3000 series	1
2	11793	Control box complete with cab to hitch harness all 3000 & 4000 series	1
3	13657	Square plug for diverter valve	1
4	13562	3 pin trailer plug	1
5	13561	3 way switch	1
6	11794	Harness (hitch to valve) 3000 series	1

**PTO ASSEMBLY (WALTERSCHEID)
#10087**



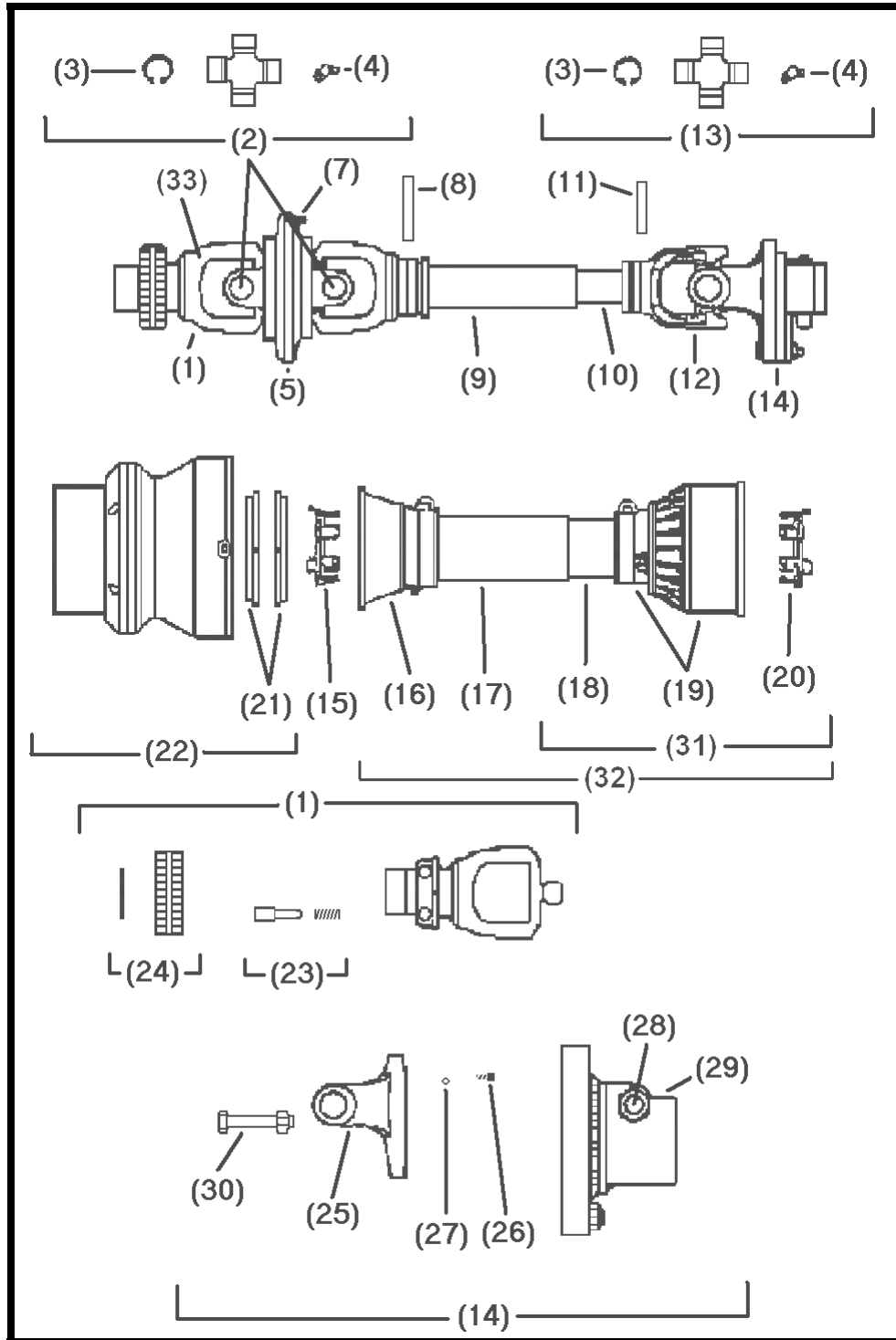
PTO ASSEMBLY (WALTERSCHEID)

PARTS LIST

<u>Ref#</u>	<u>BMI#</u>	<u>Description</u>	<u>Qty.</u>
	10087	Complete PTO Assembly	
1	10088	Yoke 1 3/8" – 21 SPL.	1
2	10090	Double Yoke	1
3	N/A	Grease Zerk (Included with item 2)	1
4	10091	Inboard Yoke 1b	1
5	10092	Cross and Bearing Kit	2
6	10093	Spring Pin	2
7	10095	Inner Profile 1bGA	1
8	10096	Profile and Sleeve W.A.	1
9	10097	Inboard Yoke 2a	1
10	10591	Shear Bolt Clutch	1
11	10094	Cross and Bearing Kit	1
12	10099	Bearing Ring SC25 Shield	2
13	10100	Outer Shield Tube, Oval Shield	1
14	10101	Inner Shield Tube, Oval Shield	1
15	10102	CV Cone and Bearing Assembly Shield	1
16	10103	Shield Cone 3 Rib	1
17	10104	Shield Cone 6 Rib	1
18	10105	Safety Chain	1
19	10108	Screw (Included with items 15, 16 ,17)	8
20	10106	Decal Outer (Included with item 13)	1
21	10107	Decal Inner (Included with item 8)	1
22	10109	Support Bearing	1
23	10110	Grease Zerk (Included with item 8)	1
24	10592	10mm Grease Zerk	10
Not Shown	10113	ASG. Col. Kit (Included with item 1)	1
Not Shown	10470	10mm x 60mm Shear Bolt	1
Not Shown	10471	10mm Locknut	1

Walterscheid: Identified by *Accordian Style* bell shield on machine end of PTO

PTO ASSEMBLY (BONDIOLI) #10114

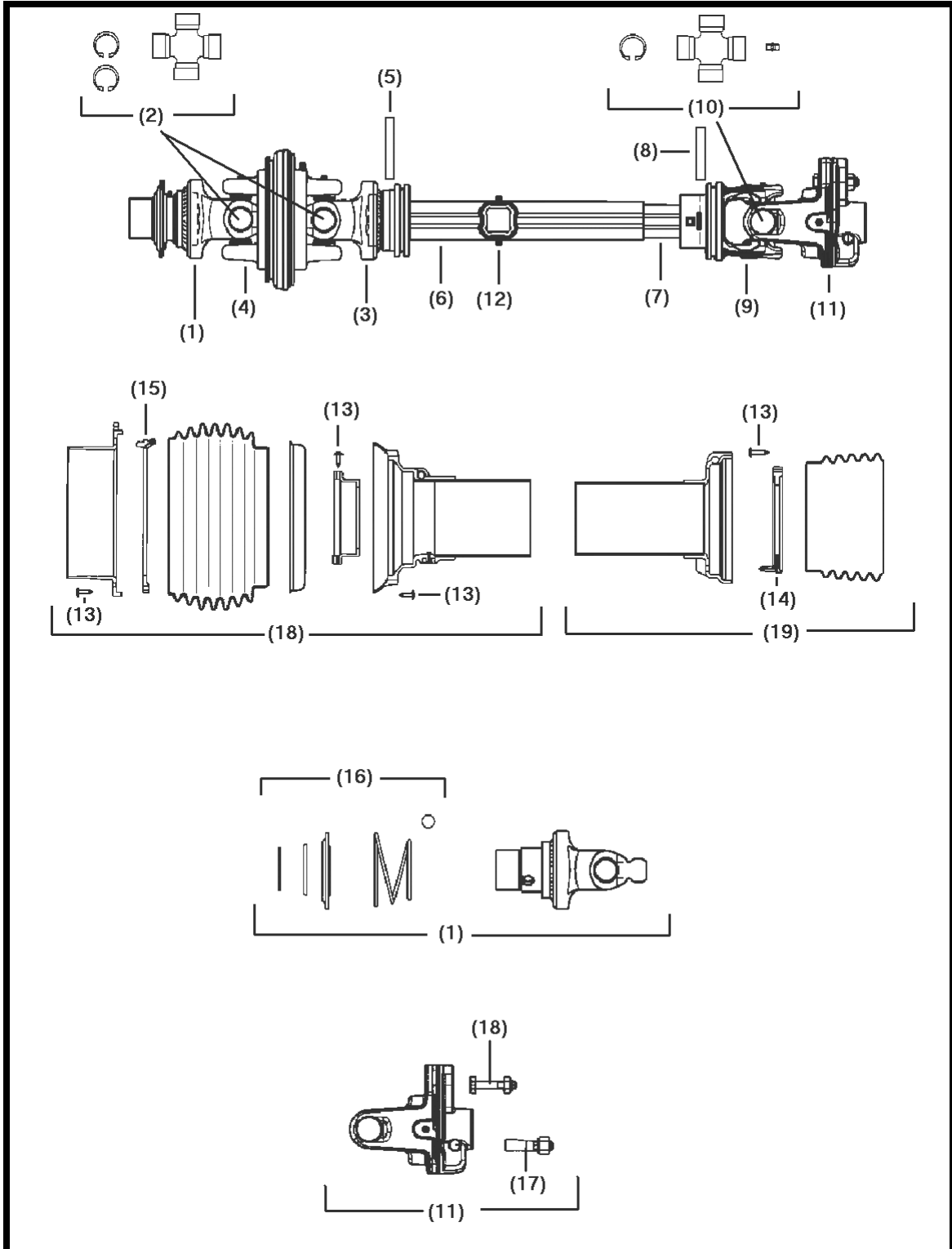


PTO ASSEMBLY (BONDIOLI)

PARTS LIST

<u>Ref#</u>	<u>BMI#</u>	<u>Description</u>	<u>Qty.</u>
	10114	Complete PTO Assembly	
1	10202	Yoke w/Bridge (Sliding Collar) 1 3/8"	1
2	10116	U-Joint Cross Kit	2
3	N/A	Circlip (Included with Cross Kit)	8
4	N/A	Grease Zerk (Included with Cross Kit)	2
5	10119	Central Body CV Joint	1
6	10120	Yoke	1
7	10121	Grease Zerk	1
8	10122	Roll Pin	1
9	10123	Cardan Tube	1
10	10124	Cardan Tube CM	1
11	10125	Roll Pin	1
12	10126	Inner Tube Yoke	1
13	10127	U-Joint Cross Kit	1
14	13703	Torque Limiter (Quick Pin Style)	1
15	10129	Shield Support 6-7	1
16	10130	Safety Cone	1
17	10131	CM Safety Tube	1
18	10132	SM Safety Tube	1
19	10133	I Cone Sets F5-6-7	1
20	10134	Shield Support 6-7	1
21	10135	Ring Nut Dowell	1
22	10136	Complete Shell	1
23	10137	Complete Push Bottom	1
24	10138	Hub	1
25	N/A	Yoke (Included w/item 13703)	1
26	10140	Grease Zerk	1
27	10141	Ball 5/16	1
28	N/A	Nut Sold with Item #29	1
29	10406	Wedge Lock on machine Yoke	1
30	10407	Shear Bolt (Pkg. of 5)	1
31	10150	Half Shaft Shield (Impl. end)	1
32	10151	Safety Shield – Complete	1
33	10152	Yoke 1 3/4" 20-Spline	1

PTO ASSEMBLY (BONDIOLI) #12574

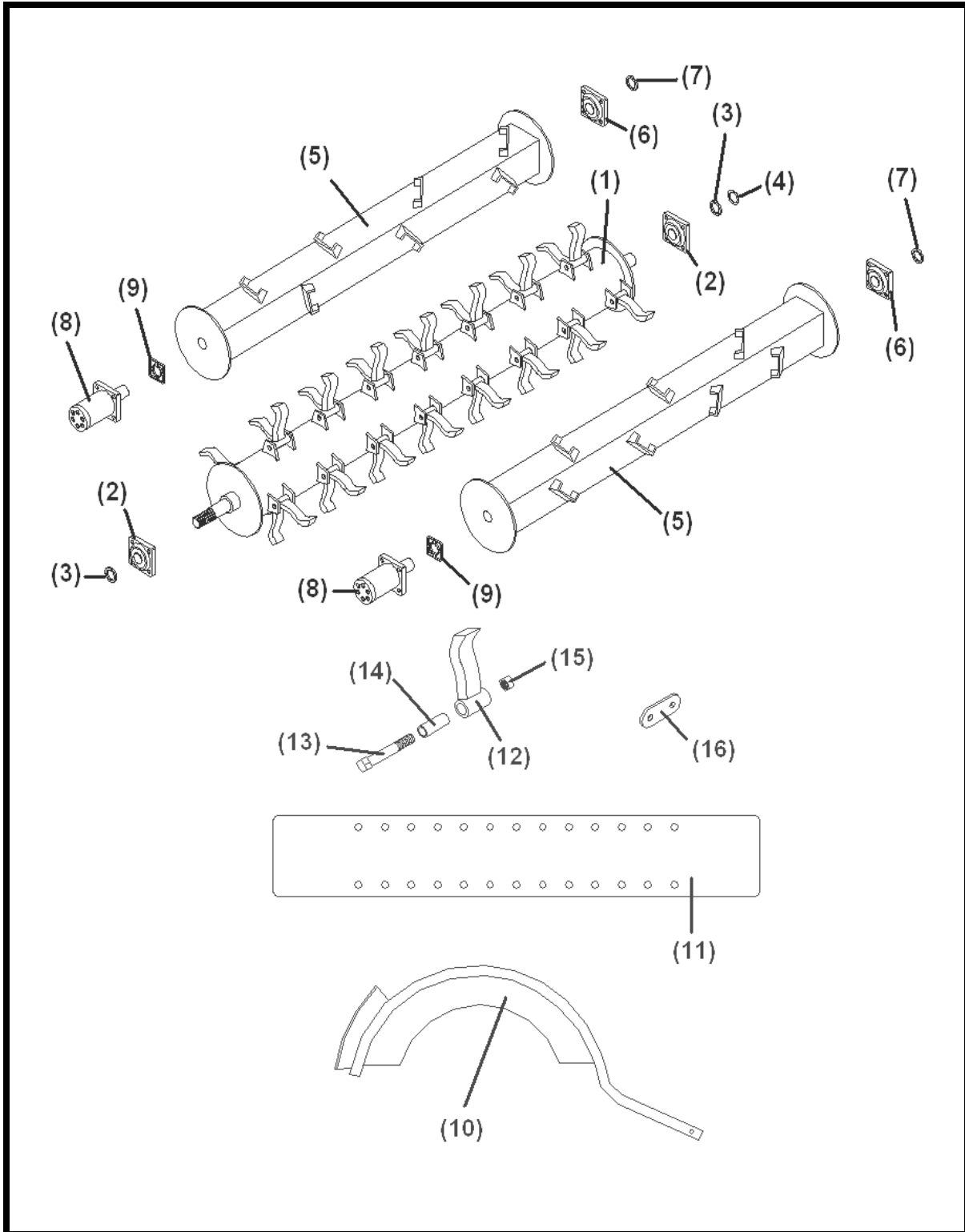


PTO ASSEMBLY (BONDIOLI)

PARTS LIST

<u>Ref#</u>	<u>BMI#</u>	<u>Description</u>	<u>Qty.</u>
	12574	Complete PTO Assembly	
1	13564	Yoke	1
2	13563	U-Joint Cross Kit	2
3	13568	Yoke	1
4	13565	CV Body	1
5	10122	Flexible Pin	1
6	13566	Cardan Tube	1
7	13567	Inner Cardan Tube	1
8	10125	Flexible Pin	1
9	13569	Yoke	1
10	13022	U-Joint Cross Kit	1
11	13570	LB Torque Limiter	1
12	13571	Grease Zerk	2
13	13572	Shield Screw	17
14	13609	Ring for Inner Cone	1
15	13610	Lauftring for Front CV	1
16	13575	Lock Assembly Front CV	1
17	13577	Wedge Lock	1
18	13576	Shear Bolt	1
19	13573	Shield Assembly – Outer	1
20	13574	Shield Assembly – Inner	1

INNER TUB PARTS

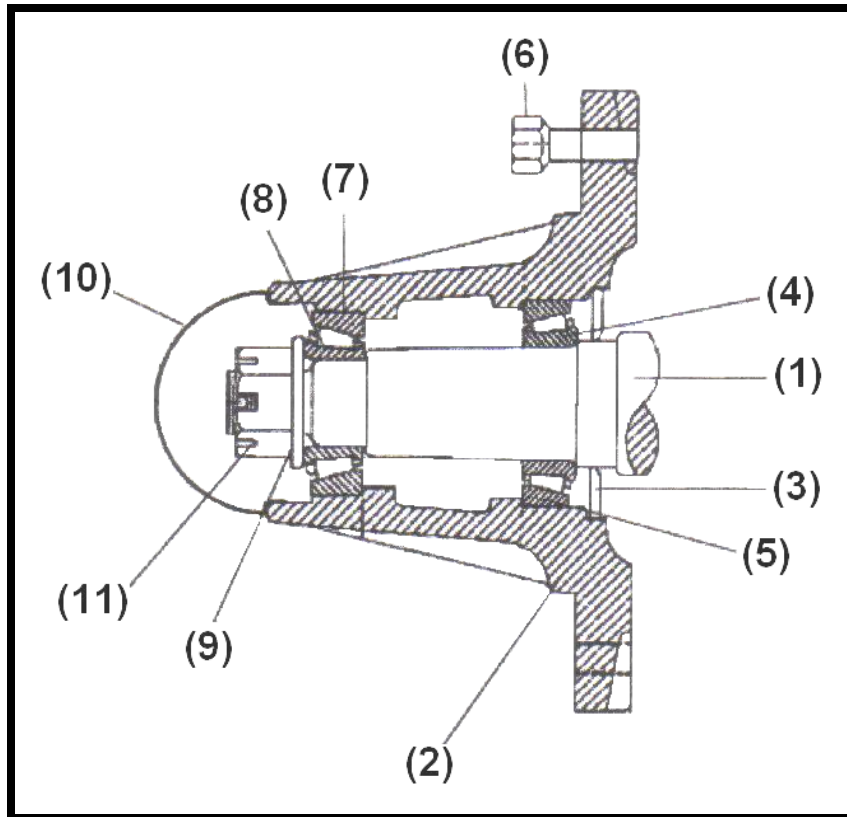


INNER TUB PARTS

PARTS LIST

<u>Ref#</u>	<u>BMI#</u>	<u>Description</u>	<u>Qty.</u>
1	10260	Rotor	1
2	10221	1 15/16" Rotor Bearings	2
Not Shown	10270	1/8" NPT Grease Zerk	2
Not Shown	10274	5/8" x 1 3/4" NF Bolt	8
Not Shown	15398	5/8" Flange Locknut	8
Not Shown	10229	Rotor Twine Guard	2
Not Shown	10229	Beater Twine Guard	4
Not Shown	13806	3/8" x 1" NC Bolt	20
Not Shown	11818	3/8" Serrated Flange Nut	22
Not Shown	13772	3/8" Flat Washer	2
Not Shown	13768	3/8" x 1 1/4" NC Bolt	2
3	10268	1 15/16" Lock Collar	2
4	10227	Split Collar	1
5	12802	Beaters	2
6	10038	1 3/4" Bearings (Beaters)	2
Not Shown	10270	1/8" NPT Grease Zerk	2
Not Shown	14461	1/2" x 1 1/2" NC Bolt	8
Not Shown	10278	1/2" Serrated Flange Nut	8
7	10040	1 3/4" Lock Collar	2
8	10045	Hydraulic Beater Motors (See Page 17)	2
Not Shown	10172	1/2" x 2 1/2" NC Socket Head bolt	8
Not Shown	10183	1/2" Lock Washer	8
Not Shown	10278	1/2" NC Serrated Flange Nut	8
9	10021	Coupler Assembly	2
10	10463	Hoop	11
Not Shown	13769	3/8" x 2 1/4" NC Bolt	11
Not Shown	13802	3/8" NC Locknut	11
Not Shown	13806	3/8" x 1" NC Bolt	22
Not Shown	13802	3/8" NC Locknut	22
11	10514	Charging Panel	1
12	10223	Flail (Replace in Pairs)	30
13	10443	Shoulder Bolt	30
14	10005	Flail Bushing	30
15	10007	3/4" NC Locknut	30
16	10513	Hoop Adjustment Shackle	2
Not Shown	14461	1/2" x 1 1/2" NC Bolt	4
Not Shown	16345	1/2" Fender Washer	4
Not Shown	10239	1/2" Bushing	4
Not Shown	14443	1/2" NC Locknut	4

HUB ASSEMBLY

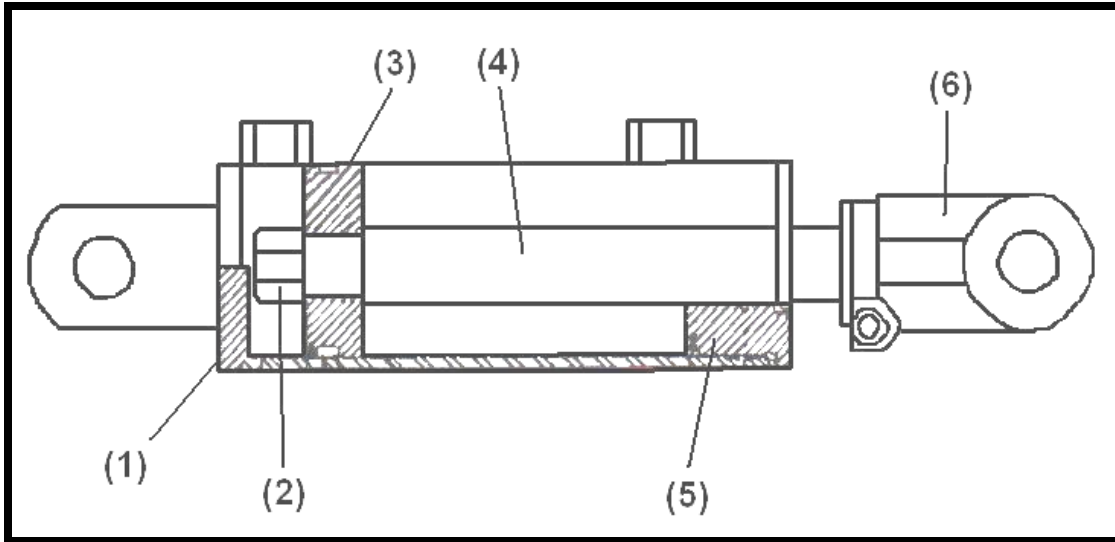


HUB ASSEMBLY

PARTS LIST

<u>Ref#</u>	<u>BMI#</u>	<u>Description</u>	<u>Qty.</u>
1	10342	Spindle 2.25" x 15.5"	2
2	10343	Hub 6500 Series	2
3	10344	Dirt Seal	2
4	10345	Inner Bearing Cone	2
5	10346	Inner Bearing Cup	2
6	10347	9/16" x 1 3/4" NF Wheel Stud	16
7	10348	Outer Bearing Cone	2
8	10349	Outer Bearing Cup	2
9	10071	1 1/16" x 2" Flat Washer	2
Not Shown	10072	3/16" x 1 1/2" Cotter Pin	2
10	10350	Dust Cap	2
11	10153	Castle Nut	2

HYDRAULIC CYLINDER (FORKS) 1 1/4" SHAFT

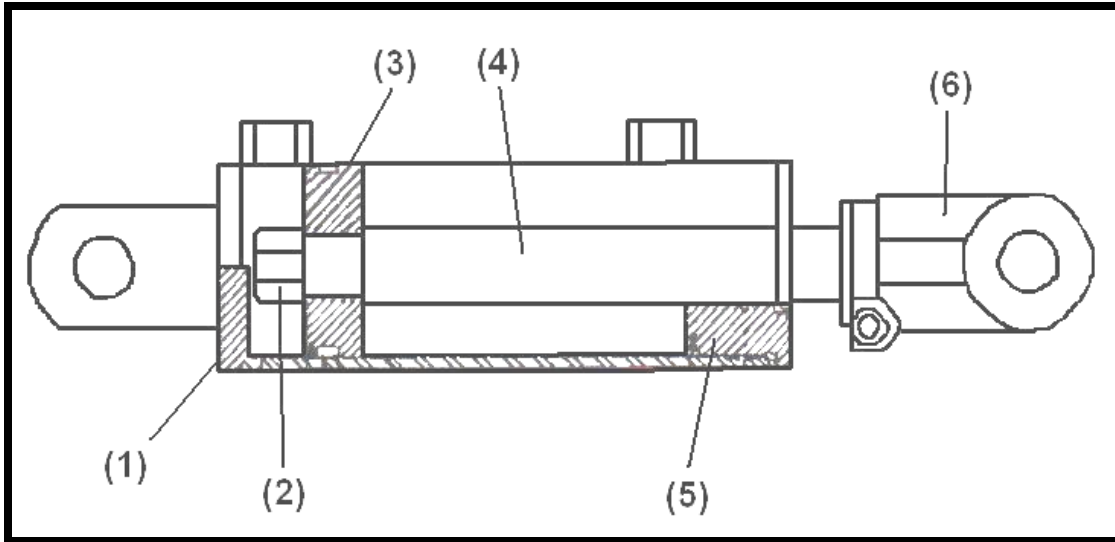


HYDRAULIC CYLINDER (FORKS) 1 1/4" SHAFT

PARTS LIST

<u>Ref#</u>	<u>BMI#</u>	<u>Description</u>	<u>Qty.</u>
	10528	Hydraulic Cylinder Assembly	
1	10535	Barrel Assembly w/Clevis	1
2	10062	Locknut Piston Rod	1
3	10536	Piston 3" Dia.	1
4	10537	Cylinder Shaft	1
5	10538	Gland	1
6	10061	Clevis	1
Not Shown	10539	Seal Kit	1

HYDRAULIC CYLINDER (FORKS) 1 1/2" SHAFT

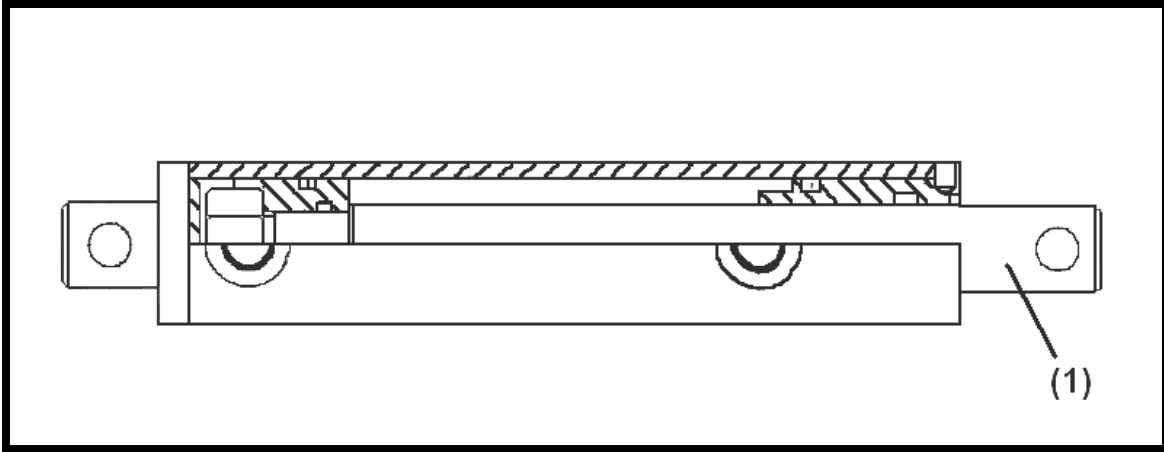


HYDRAULIC CYLINDER (FORKS) 1 1/2" SHAFT

PARTS LIST

<u>Ref#</u>	<u>BMI#</u>	<u>Description</u>	<u>Qty.</u>
	12865	Hydraulic Cylinder Assembly	
1	10535	Barrel Assembly w/Clevis	1
2	10062	Locknut Piston Rod	1
3	12875	Piston	1
4	12873	Cylinder Shaft	1
5	12874	Gland	1
6	10061	Clevis	1
Not Shown	12872	Seal Kit	1

HYDRAULIC CYLINDER (DEFLECTOR)

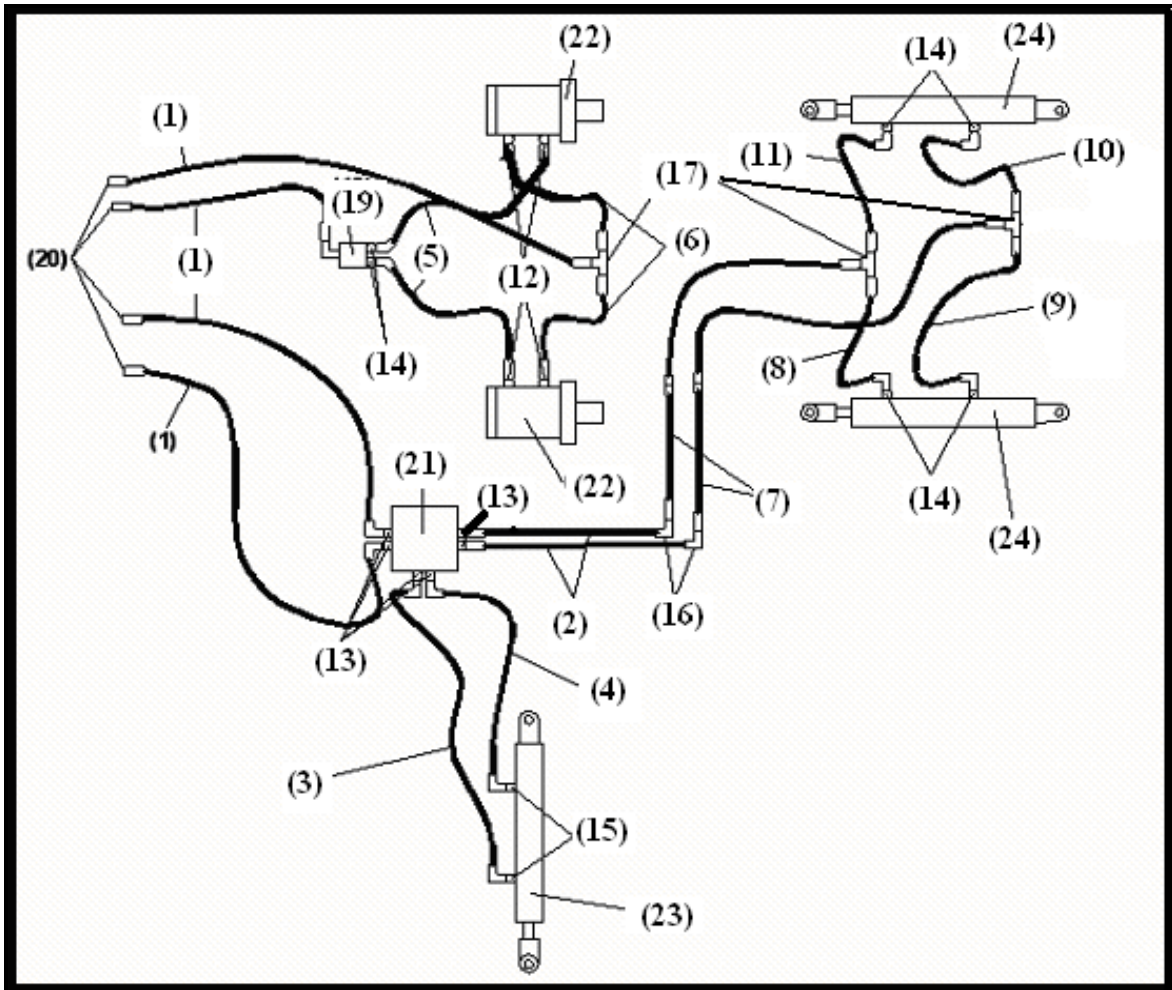


HYDRAULIC CYLINDER (DEFLECTOR)

PARTS LIST

<u>Ref#</u>	<u>BMI#</u>	<u>Description</u>	<u>Qty.</u>
	10317	Hydraulic Cylinder Assembly	1
1	16746	1" Cylinder Shaft	1
Not Shown	10318	Seal Kit	1

HYDRAULIC SCHEMATICS



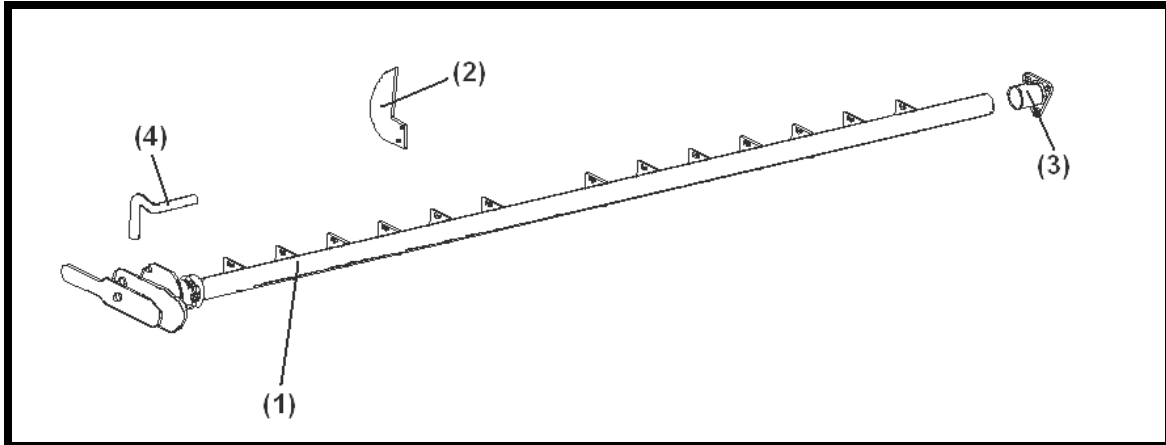
HYDRAULIC SCHEMATICS

PARTS LIST

<u>Ref#</u>	<u>BMI#</u>	<u>Description</u>	<u>Qty.</u>
1	11727	Hose- 102" OAL 6FJX90-8MP	4
2	10194	Hose - 54" OAL 6FJX - 6FJX	2
3	11733	Hose - 30" OAL 6FJX90 - 6FJX90	1
4	11734	Hose - 24" OAL 6FJX90 - 6FJX90	1
5	11726	Hose - 21" OAL 6FJX45 - 8FJX	2
6	11724	Hose - 17" OAL 6FJX - 8FJX	2
7	10190	Hose - 80" OAL 6FJX - 6FJX	2
8	11748	Hose- 67" OAL 6FJX90-6FJX	1
9	11731	Hose -52" OAL 6FJX45-6FJX	1

10	11745	Hose-21" OAL 6FJX45-6FJX	1
11	11746	Hose-38" OAL 6FJX90-6FJX	1
12	10161	Adapter – 10MB – 8MJ	4
13	11739	Adapter – 10MB – 6MJ	7
14	10161	Adapter – 8MB – 6MJ	6
15	10162	Adapter – 6MB – 6MJ	2
16	10187	Bulkhead Elbow – 6MJ – 6MJ90BH	2
17	10188	Bulkhead Tee – 6MJBH – 6MJT	3
19	11742	Flow Divider Valve	1
20	10167	ISO Pioneer hydr. tips	4
21	11743	Diverter Valve	1
22	10045	Beater Hydraulic Motor	2
Not Shown	10048	Seal Kit	1
23	10317	Deflector hydraulic Cylinder (See Page 16)	1
24	10528	Fork cylinder 3"x20" 1 ¼ shaft (See Pg 14)	2
24	12865	Fork Cylinder 3"x 20" 1 ½"shaft(See Pg 15)	2

FINE CHOP OPTION (SIDE MOUNT)



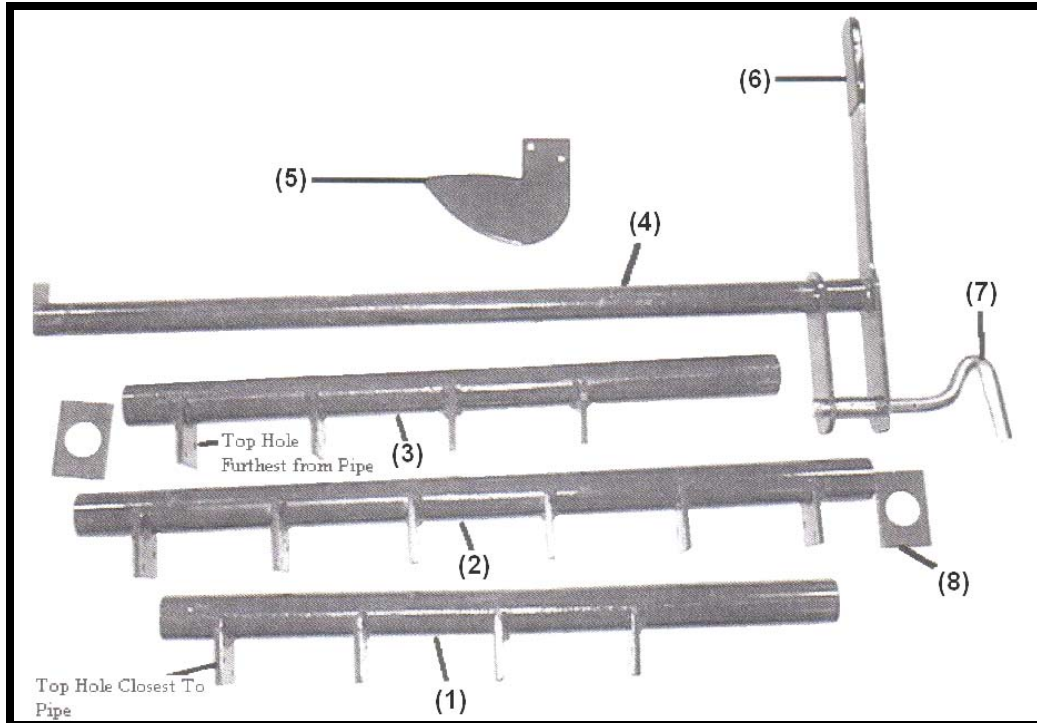
FINE CHOP OPTION (SIDE MOUNT)

PARTS LIST

<u>Ref#</u>	<u>BMI#</u>	<u>Description</u>	<u>Qty.</u>
	12499	Fine Chop Option (Side Mount)	
1	11771	Handle and Pipe Assembly	1
2	10404	Knife	14
Not Shown	11810	1/4" x 1" NC Bolts	28
Not Shown	15402	1/4" NC Locknut	28
3	13450	Sleeve Bracket	1
Not Shown	13806	3/8" x 1" NC Bolt	7
Not Shown	11818	3/8" Serrated Flange Nut	7
4	10231	Plated Handle	1
Not Shown	10297	Rubber Handle	1
Not Shown	10302	3/16" x 1 1/4" Roll Pin	1
Not Shown	10301	Compression Spring	1
Not Shown	12792	Split Collar	1

MODELS WITH SERIAL # BK3182 AND BELOW

FINE CHOP OPTION (BOTTOM MOUNT)

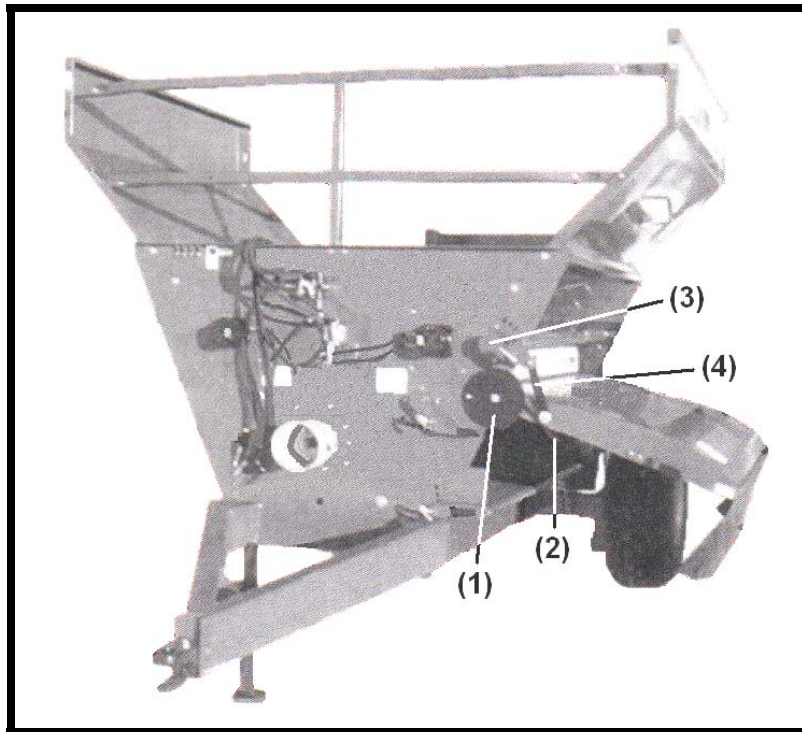


FINE CHOP OPTION (BOTTOM MOUNT)

PARTS LIST

<u>Ref#</u>	<u>BMI#</u>	<u>Description</u>	<u>Qty.</u>
1	10525	End Knife Holder	1
2	10526	Middle Knife Holder	1
3	10527	End Knife Holder	1
4	10523	Handle w/Pipe	1
5	10404	Knife	14
6	10297	Rubber Handle	1
7	10231	Plated Handle	1
Not Shown	10302	3/16" x 1 1/4" Roll Pin	1
8	10524	Rectangular Spacer	2
Not Shown	10301	Compression Spring	1
Not Shown	13806	3/8" x 1" NC Bolt	4
Not Shown	13802	3/8" NC Locknut	4
Not Shown	11810	1/4" x 1" NC Bolt	28
Not Shown	15402	1/4" NC Locknut	28

SPRING ASSISTED DEFLECTOR



SPRING ASSISTED DEFLECTOR

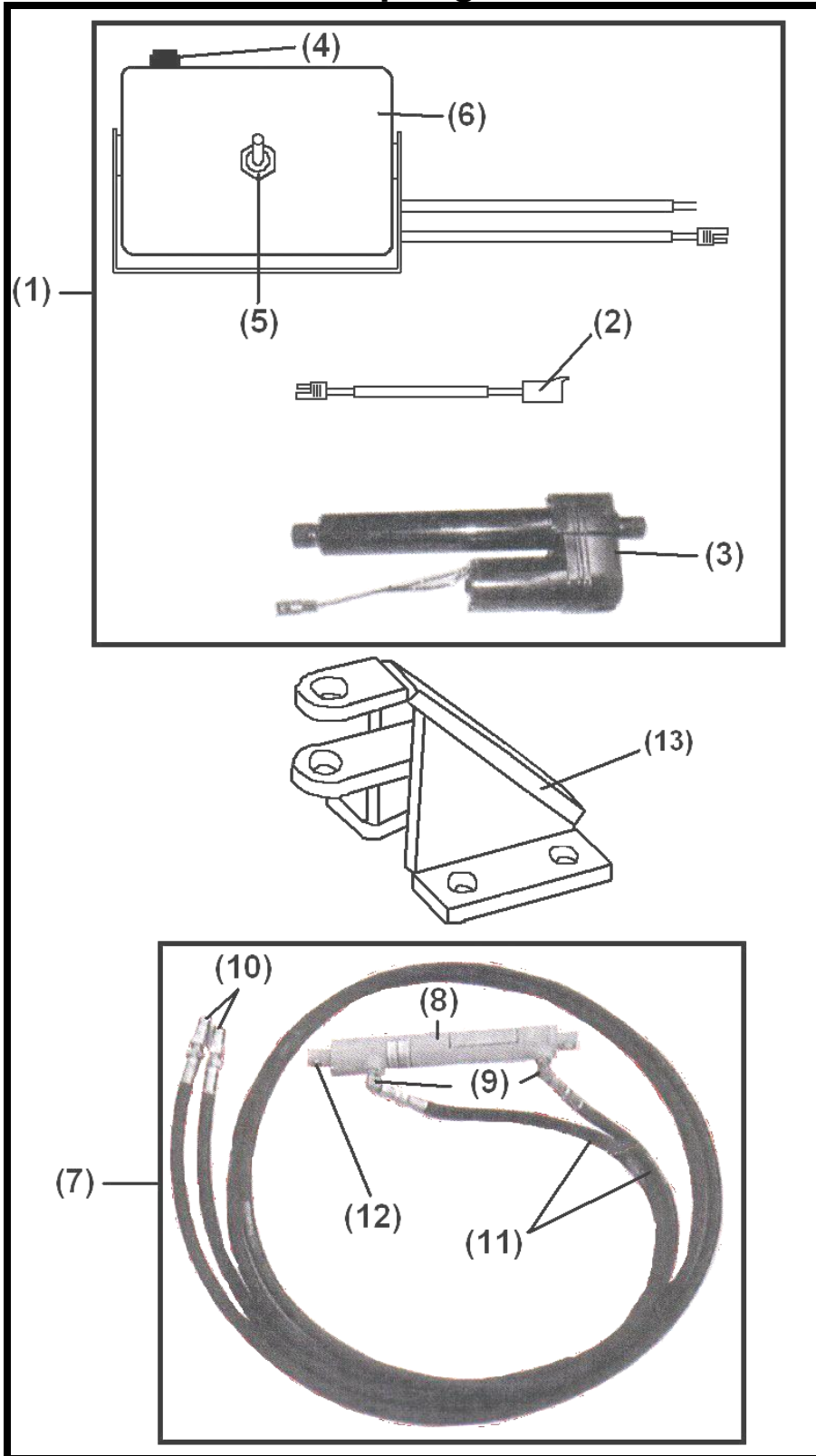
PARTS LIST

<u>Ref#</u>	<u>BMI#</u>	<u>Description</u>	<u>Qty.</u>
1	10474	Spring Plate	2
Not Shown	14461	1/2" x 1 1/2" NC Bolt	2
Not Shown	15403	1/2" x 1 3/4" NC Bolt	2
Not Shown	16345	1/2" Fender Washer	2
Not Shown	10239	Bushing 1/2" x 1 1/4"	2
Not Shown	10506	Spring Bushing 9/16" x 2" x 1/2"	2
Not Shown	10507	Spacer 5/8" x 3/4" x 1/2"	2
Not Shown	14443	1/2" NC Locknut	2
Not Shown	10278	1/2" Serrated Flange Nut	2
2	10422	Left Spring Front on LH Machine	1
	10423	Right Spring on Rear on the LH Machine	1
3	10828	Lift Assembly (includes next 3 items)	1
Not Shown	10231	Plated S Handle	1
Not Shown	10301	Compression Spring	1
Not Shown	10302	Roll Pin	1

Not Shown	13806	3/8" x 1" NC Bolt	6
Not Shown	11818	3/8" Serrated Flange Nut	6
4	10475	Linkage, Main Deflector	2
Not Shown	10512	Spring Guide	2
Not Shown	14461	1/2" x 1 1/2" NC Bolt	2
Not Shown	10278	1/2" Serrated Flange Nut	2
Not Shown	16345	1/2" Fender Washer	4
Not Shown	10239	Bushing 1/2" x 1 1/4"	4

*** Replaces items 14 – 16 on Bale King, upto Serial #BK3183 in *External Parts and Controls* section**

Optional Attachments Spring Assist Deflector Units

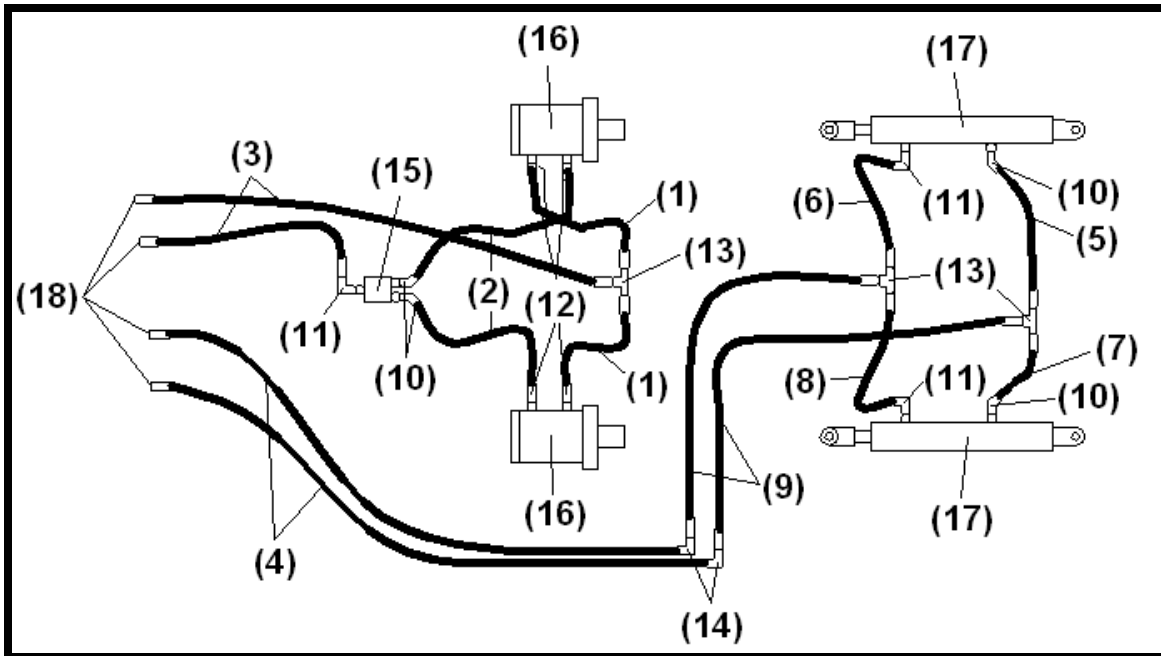


Optional Attachments Spring Assist Deflector Units

PARTS LIST

<u>Ref#</u>	<u>BMI#</u>	<u>Description</u>	<u>Qty.</u>
1	10307	Electric Lift Attachment (Side Deflector)	1
2	10309	Cable 13'	1
3	10311	Electric Actuator	1
4	10312	Fuse Holder	1
Not Shown	10313	Fuse AGC 25	1
5	10314	3 – Way Switch	1
6	10315	Box Assembly w/ Harness	1
7	10316	Hydraulic Lift Attachment	1
8	10317	Hydraulic Cylinder Assembly (See Page 16)	1
Not Shown	10318	Seal Kit	1
9	10201	Adaptor – 6MB – 6MJ90	2
10	10167	Pioneer Male Tips	2
11	10320	Hose – 120"	2
12	15396	1/2" x 3" NC Bolt	1
Not Shown	10239	1/2" x 1 1/4" Plated Bushing	2
Not Shown	13804	1/2" x 2" NC Bolt	1
Not Shown	14443	1/2" NC Locknut	2
13	10516	Bracket Hydraulic and Electric Lift	1
Not Shown	13806	3/8" x 1" NC Bolt	4
Not Shown	13802	3/8" NC Locknut	4
Not Shown	13559	Transport Safety Latch, Includes following items:	
	13560	Safety Latch	1
	13233	Lynch Pin	1
	13232	1/2" x 2 1/4" NC Bolt	1
	13231	1/2" x 2 1/2" NC Stabilizer Pin	2
	10278	1/2" Serrated Flange Nut	6
	13194	Decal, Transport Safety Lock	1

HYDRAULIC SCHEMATICS



PARTS LIST

<u>Ref#</u>	<u>BMI#</u>	<u>Description</u>	<u>Qty.</u>
1	10197	Hose - 21" OAL 6FJX - 8FJX	2
2	10198	Hose - 18" OAL 6FJX - 8FJX	2
3	10196	Hose - 102" OAL 6FJX - 8MP	2
4	10195	Hose - 120" OAL 6FJX - 8MP	4
5	10557	Hose - 21" OAL 6FJX - 6FJX	1
6	10560	Hose - 41" OAL 6FJX - 6FJX	1
7	10334	Hose - 52" OAL 6FJX - 6FJX	1
8	10558	Hose - 70" OAL 6FJX - 6FJX	1
9	10190	Hose - 80" OAL 6FJX - 6FJX	2
10	10328	Adapter - 6MJ - 8MB45	4
11	10200	Adapter - 6MJ - 8MB90	3
12	10161	Adapter - 10MB - 8MJ	4
13	10188	Adapter - 6MJBH - 6MJT	3
14	10187	Adapter - 6MJ - 6MJ90BH	2
15	11742	Splitter	1
16	10045	Hydraulic Beater Motors	2
Not Shown	10048	Seal Kit	1
17		Fork Hydraulic Cylinder (See Page 14, 15)	2
18	10167	Pioneer Tips	4